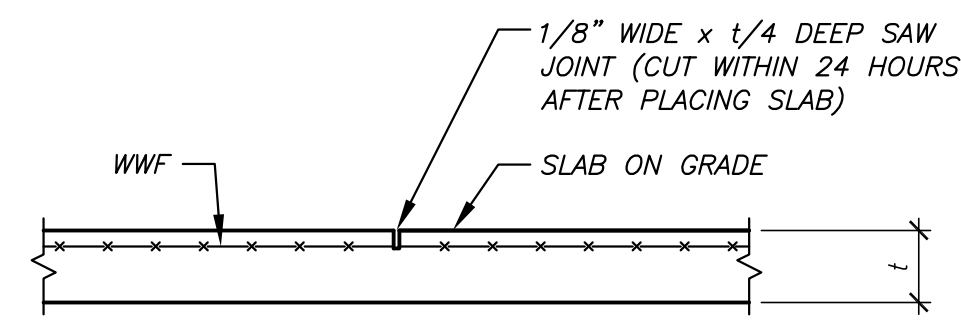
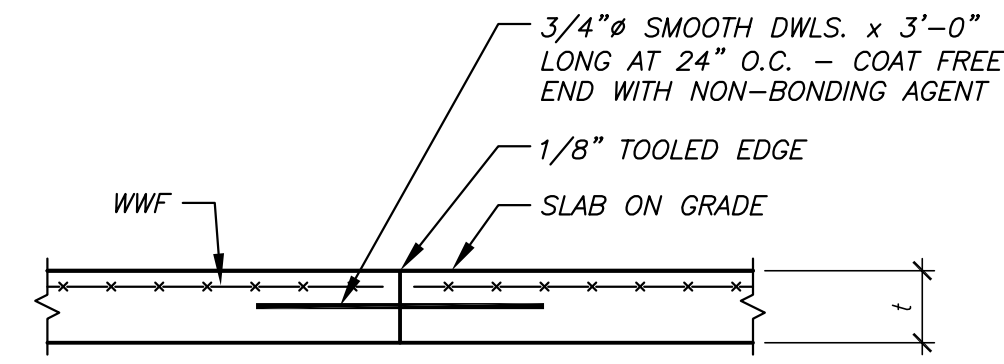


1 SECTION
S2.2



CONTROL JOINT



CONSTRUCTION JOINT

2 TYPICAL SLAB ON GRADE
S2.2 JOINT DETAILS

Virgilio & Associates, Ltd.
STRUCTURAL ENGINEERS
765 ELA ROAD, SUITE 211
LAKE ZURICH, ILLINOIS 60047
847-550-8411 TELEPHONE
847-550-8412 FACSIMILE
PROJECT NO.
2007_029

ISSUED FOR

ISSUED FOR PERMIT

05/22/2007

REVISIONS

OFFICE/RETAIL BUILDING REHABILITATION

634-640 E. 79 TH STREET, CHICAGO, IL

FOUNDATION DETAILS

ATELIER
ARCHITECTS

3340 DUNDEE RD., SUITE 2N-3
NORTHBROOK, IL, 60062
PHONE 847-562-9262
FAX 847-205-0562

DATE 04/25/07

PROJECT NO 06161

DRAWN CS SCALE AS SHOWN

SHEET

S2.2

COMPUTER FILE