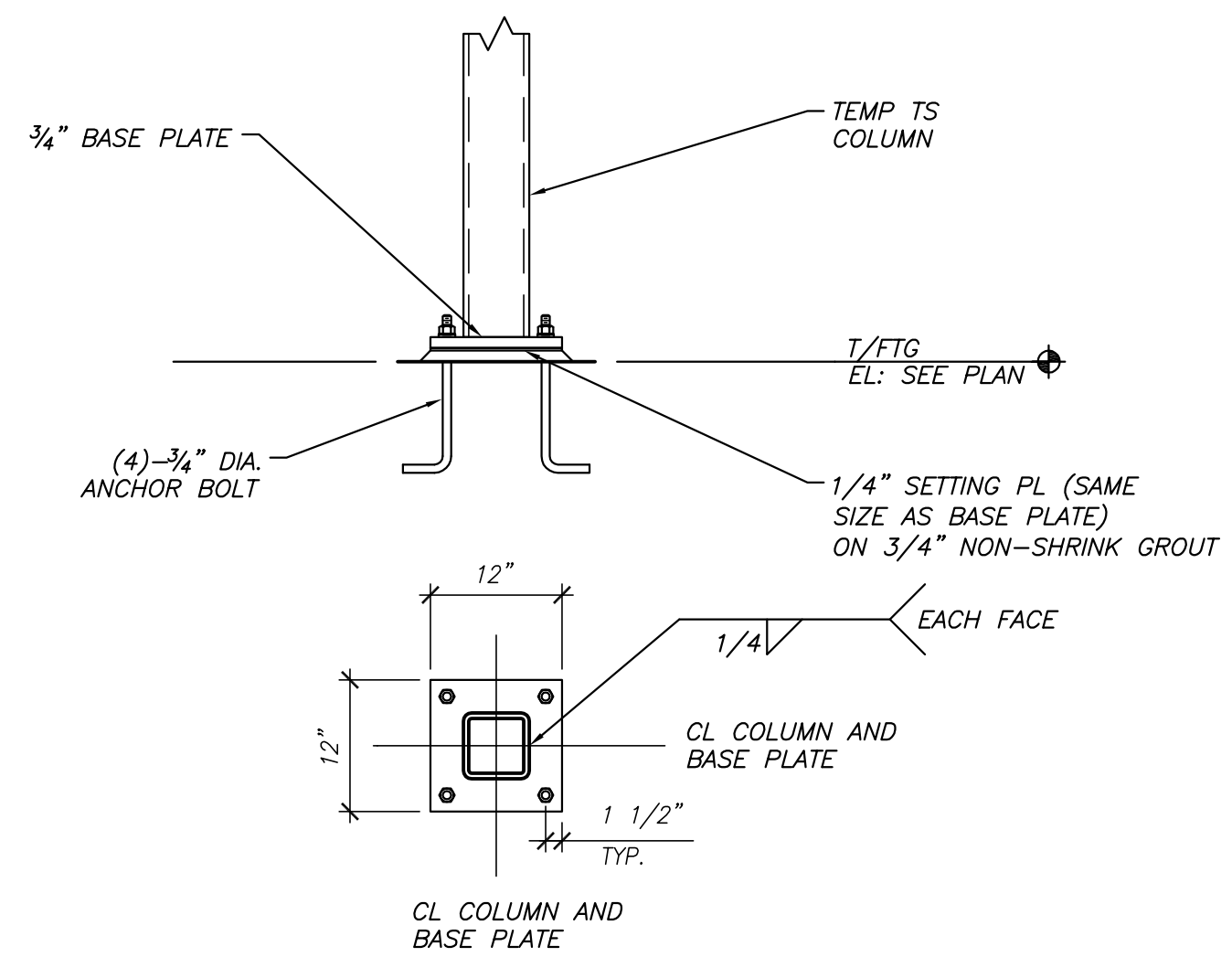
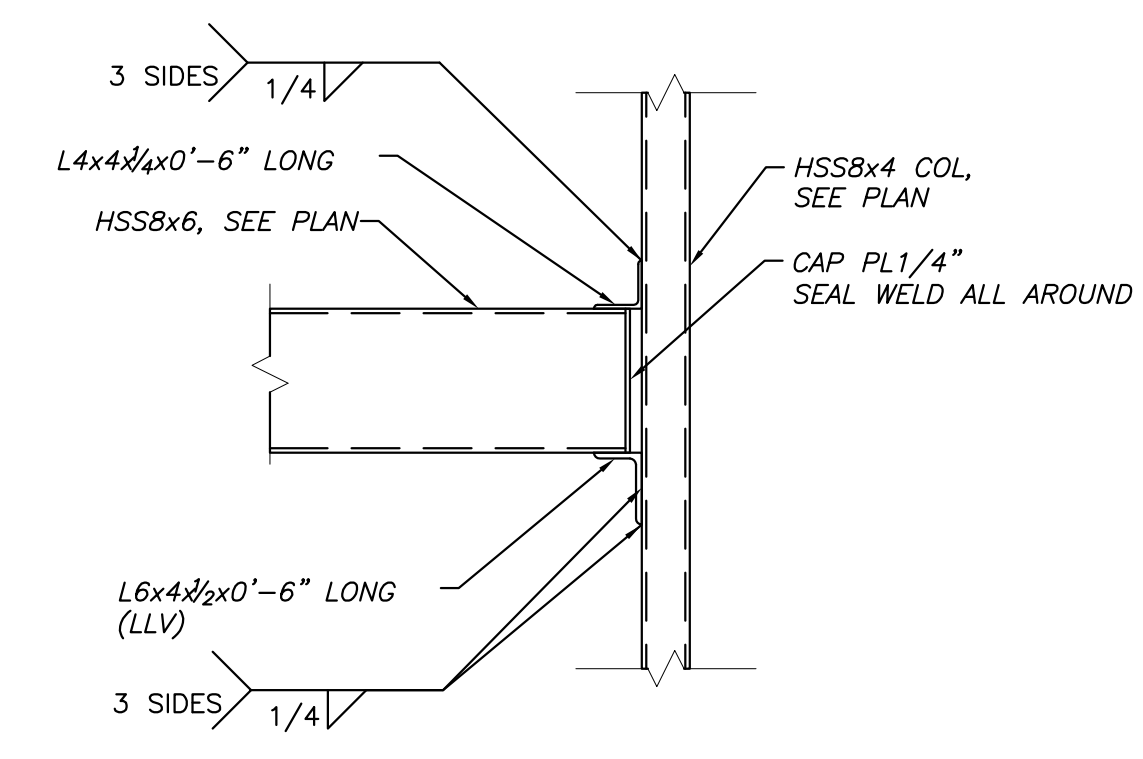


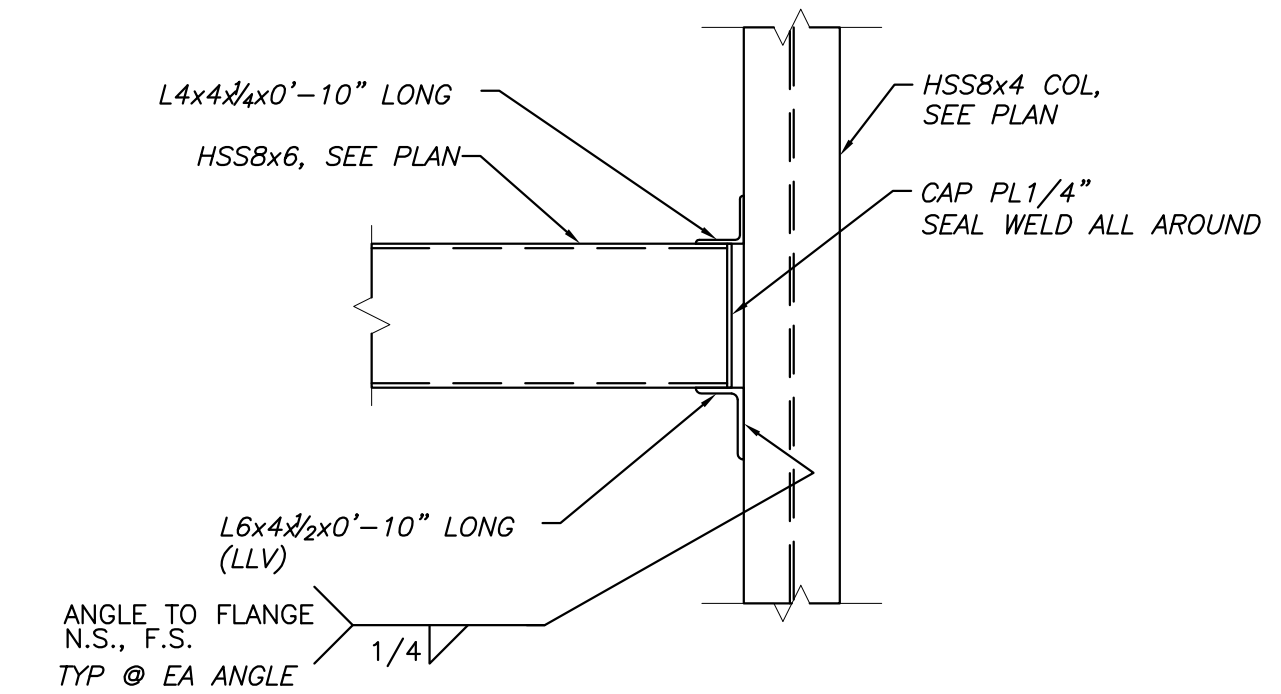
1 TYPICAL COLUMN BASE
S3.X PLATE DETAIL



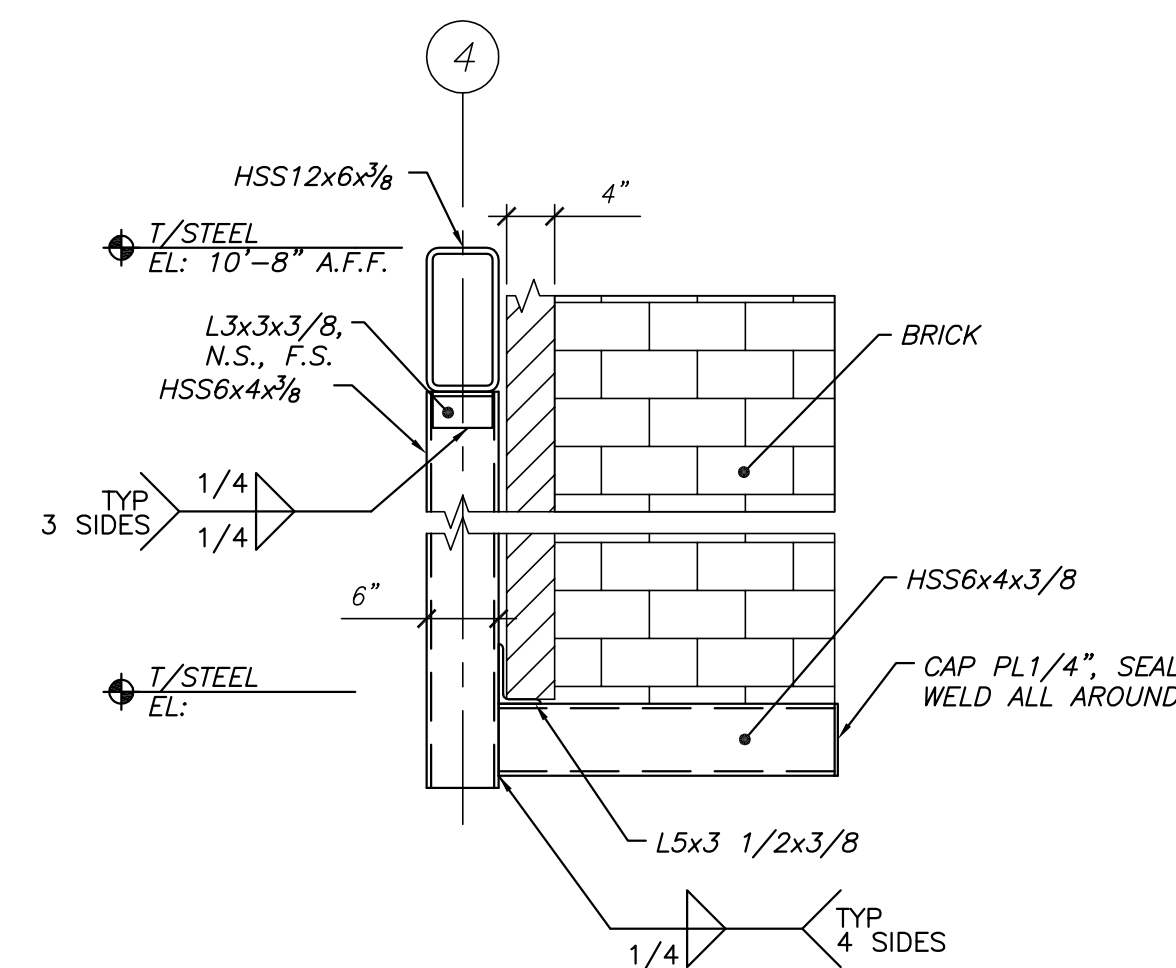
2 TYPICAL TUBE COLUMN
S3.2 BASE PLATE DETAIL



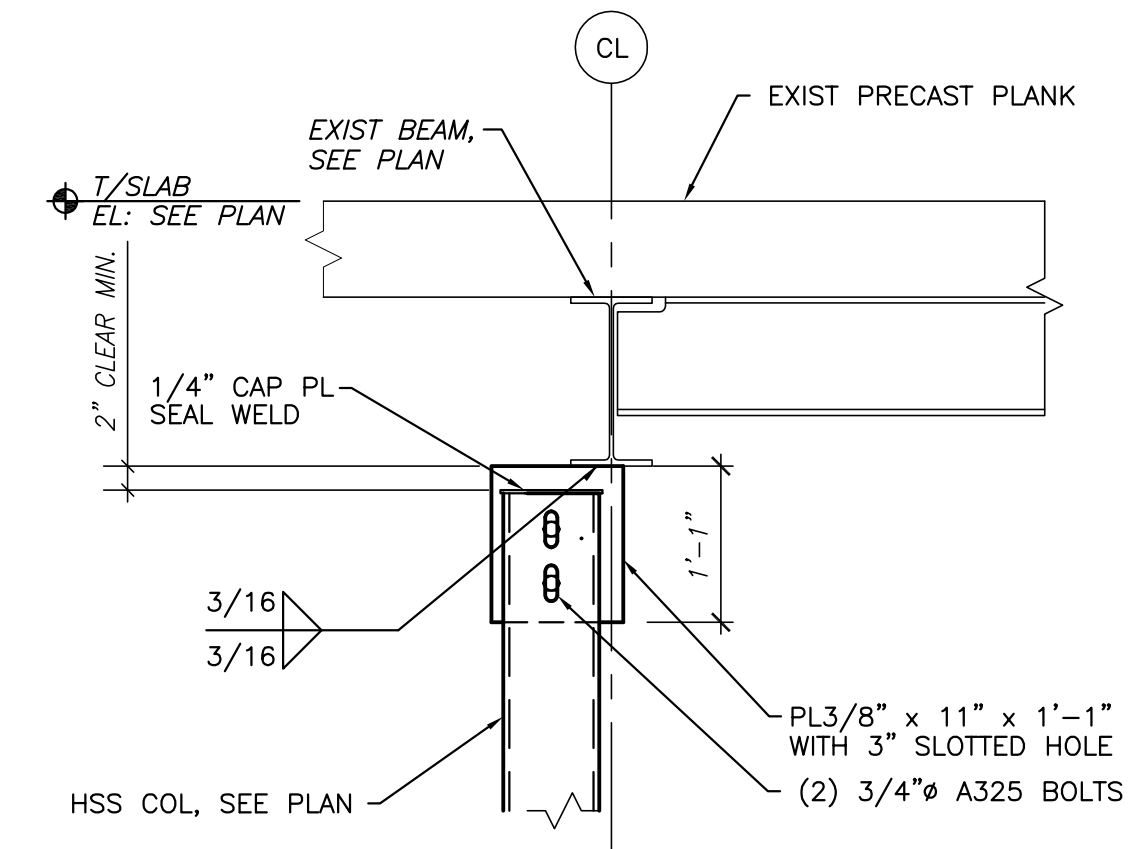
3 CONNECTION TO NEW
S3.2 HSS COLUMN



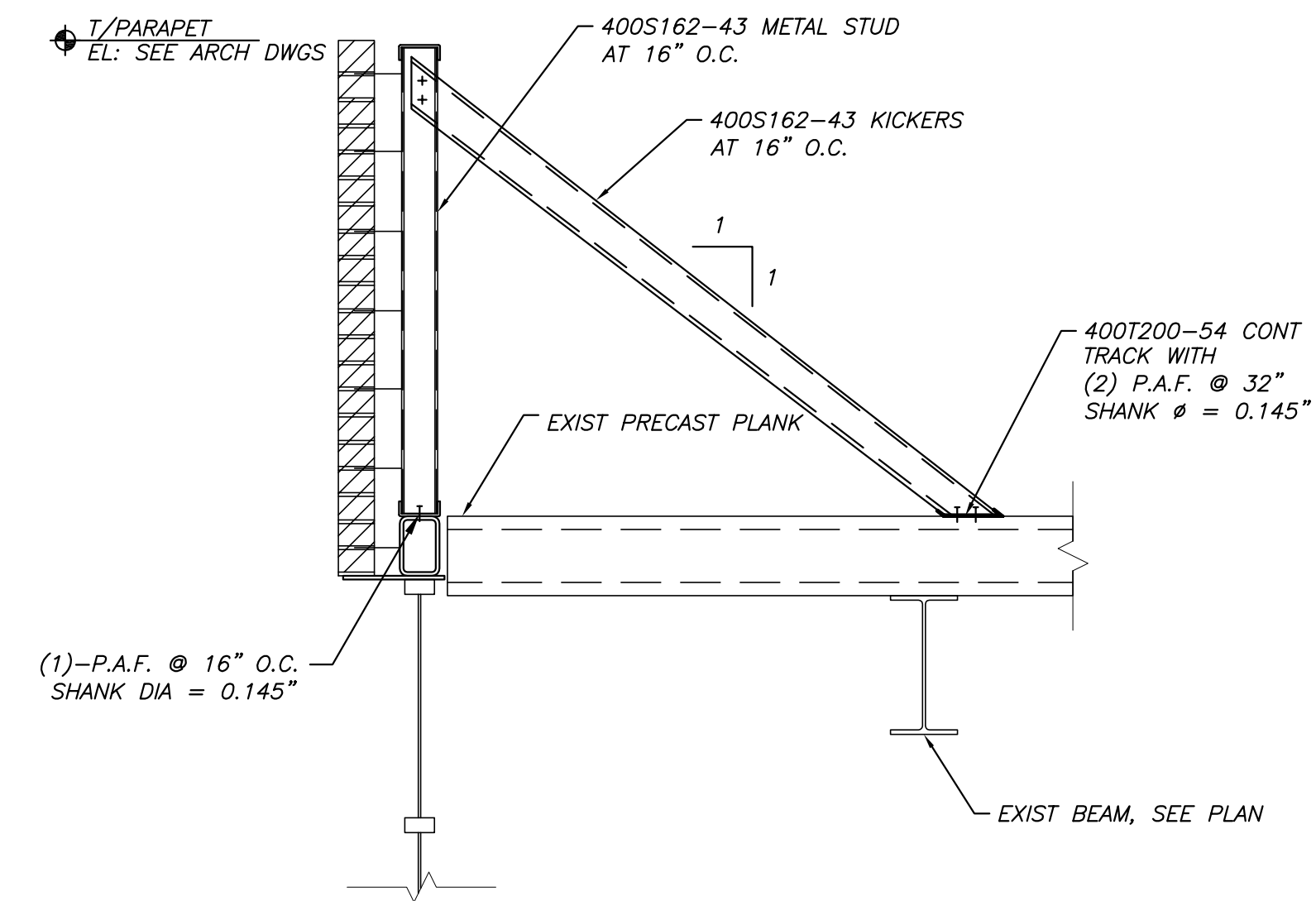
4 CONNECTION TO
S3.2 EXISTING W8 COLUMN



5 SECTION
S3.2 SCALE: 3/4\"/>



6 SLOTTED CONNECTION
S3.2 AT TOP OF COLUMN



7 METAL STUD WALL DETAIL
S3.2

ISSUED FOR	05/22/2007
ISSUED FOR PERMIT	
REVISIONS	

OFFICE/RETAIL BUILDING REHABILITATION
634-640 E. 79 TH STREET, CHICAGO, IL
SUPERSTRUCTURE DETAILS

ATELIER 7
ARCHITECTS
3340 DUNDEE RD., SUITE 2N-3
NORTHBROOK, IL, 60062
PHONE 847-562-9262
FAX 847-205-0562

DATE	04/25/07
PROJECT NO	06161
DRAWN CS	SCALE AS SHOWN
SHEET	S3.2
COMPUTER FILE	

Virgilio & Associates, Ltd.
STRUCTURAL ENGINEERS
765 ELA ROAD, SUITE 211
LAKE ZURICH, ILLINOIS 60047
847-550-8411 TELEPHONE
847-550-8412 FACSIMILE
PROJECT NO. 2007_029